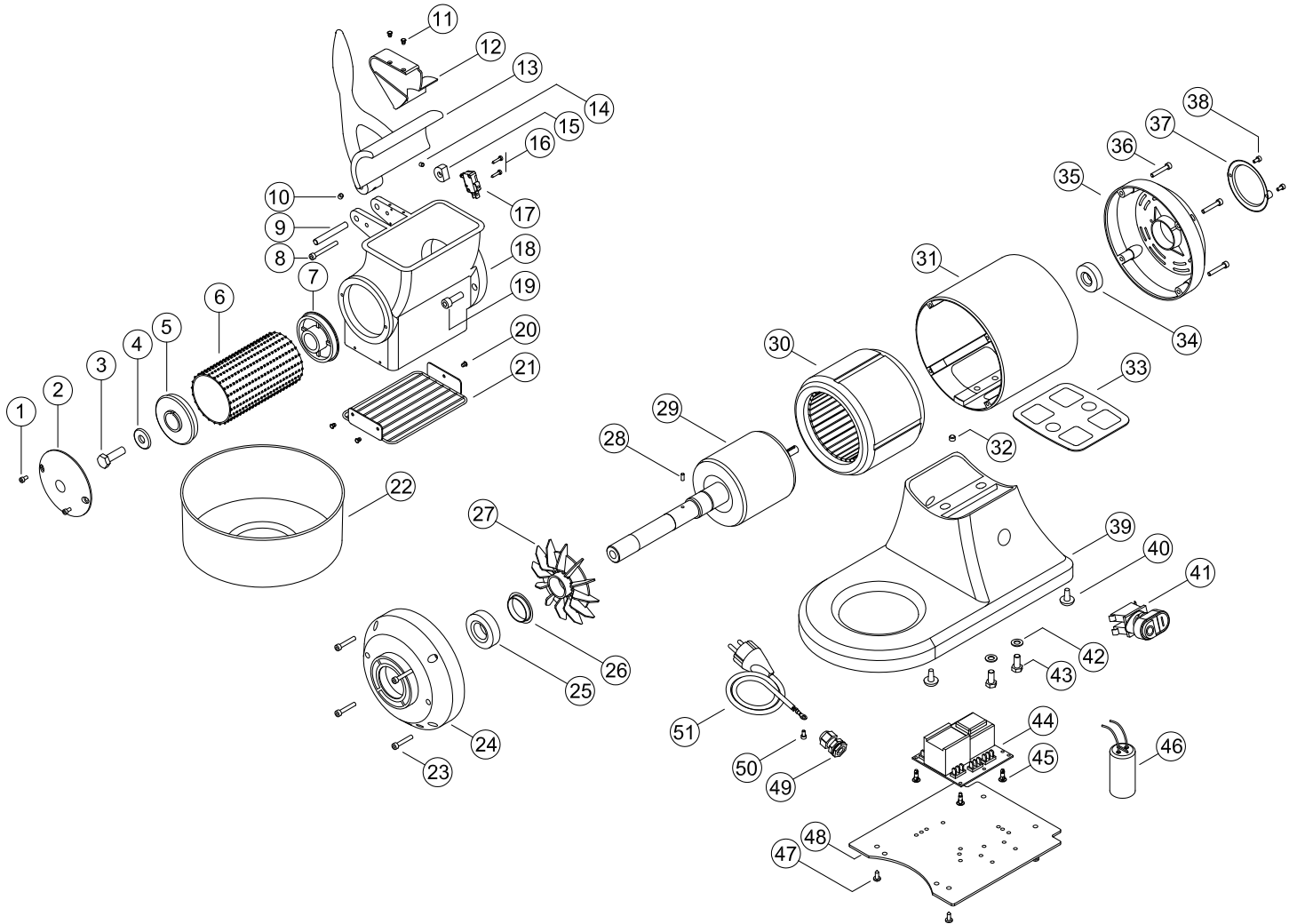


Parts Breakdown

Model GR-IT-1119-M 11405



Parts Breakdown

Model GR-IT-1119-M 11405

Item No.	Description	Position	Item No.	Description	Position	Item No.	Description	Position
15351	Screw 4x8 for 11405	1	15430	Drum Casing for 11405	18	15380	Back Motor Cover for 11405	35
15418	Plastic Front Cover 100mm for 11405	2	15410	Screw 8x22 for 11405	19	15353	Screw 5x30 for 11405	36
15419	Screw 10x35 for 11405	3	15370	Rivet for 11405	20	15352	Disc Locking ABS DA 80mm for 11405	37
15420	Washer 10x30x2 for 11405	4	15431	Guard for 11405	21	15351	Screw 4x8 for 11405	38
17885	Drum Caps/Flange for Drums for 11405	5	17243	Pan for 11405	22	15439	Base for 11405	39
17823	Drum for 11405	6	15353	Screw 5x30 for 11405	23	42904	Rubber Foot for 11405	40
17885	Drum Caps/Flange for 11405	7	15433	Motor Cover - Front for 11405	24	15409	Switch for 11405	41
15423	Screw 5x45 for 11405	8	15434	Bearing 6205 2RS for 11405	25	70181	Washer 8x16x1.5 for 11405	42
15424	Pin 8x57 for 11405	9	AD424	Fixed Fan Ring D.30 for 11405	26	15440	Screw 8x25 for 11405	43
68924	Bead 6x6 for 11405	10	AD425	Fan D.30 for 11405	27	17702	Transformer/Power Circuit Board for 11405	44
15370	Rivet for 11405	11	17244	Key Lock 4x10mm for 11405	28	AD427	Feet for Board for 11405	45
17700	Micro Switch Cover for 11405	12	AD426	Rotor Shaft for 11405	29	18657	Capacitor uF 40 for 11405	46
15425	Aluminum Lever for 11405	13	20178	Stator for 11405	30	15412	Screw 4.8x12 for 11405	47
72905	Wheat 5x6 for 11405	14	AD422	Engine Housing Open Banded for 11405	31	15411	Rubber Base Cover for 11405	48
15427	Bushing for 11405	15	AD423	Wheat 8x6 for 11405	32	15437	Plug PG9/11 for 11405	49
17240	Screw 2.8x15 for 11405	16	78010	Gasket Base for 11405	33	15351	Screw 4x8 for 11405	50
17241	Microswitch for 11405	17	15381	Bearing 6203 ZZ for 11405	34	78013	Cable with Plug Mod. SCHUKO for 11405	51